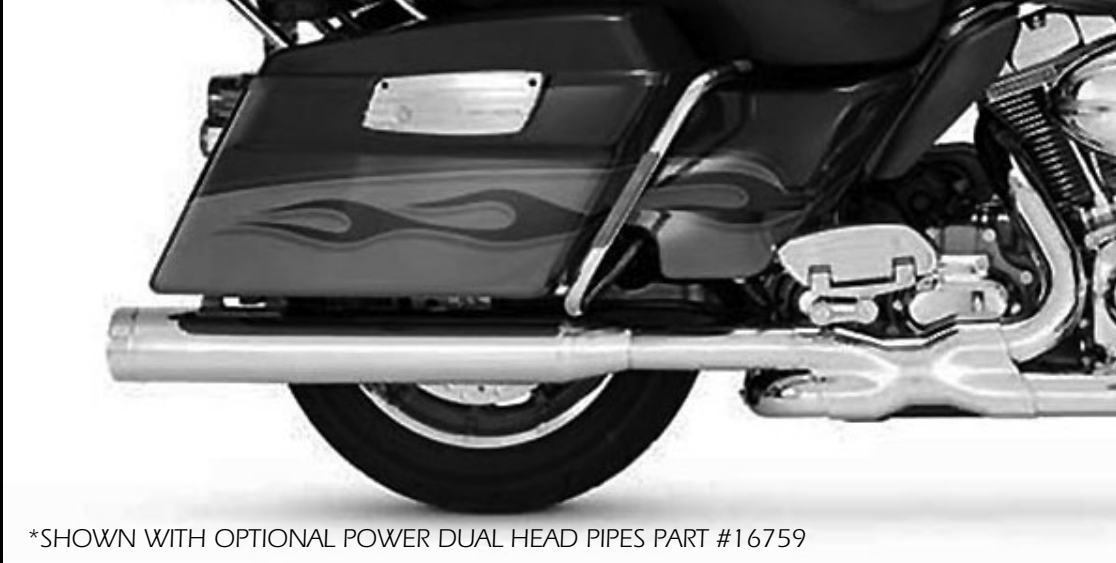


**HARLEY-DAVIDSON® TOURING MODEL
4" MONSTER ROUNDS SLIP-ONS
INSTALLATION INSTRUCTIONS
PART# 16773**



MORE POWER : LESS NOISE

**STOCK EXHAUST
SYSTEM REMOVAL**

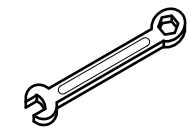


*SHOWN WITH OPTIONAL POWER DUAL HEAD PIPES PART #16759

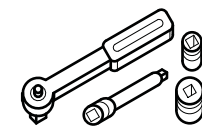
Congratulations, you have purchased the finest exhaust system for your motorcycle on the market. Your Vance & Hines exhaust system is designed and crafted for maximum performance, a perfect fit, a great sound and unbeatable style. Please follow the installation instructions below and if you have any questions, please call our technical support line at (562) 926-5291.

Attention installer (if other than owner), please forward this instruction sheet to the owner of this product. These instructions contain valuable information to the end user.

**TOOLS
REQUIRED**



1/2" & 9/16"
Wrenches



3/8" Drive
Ratchet w/
4" extension,
1/2" std & 9/16"
deep well sockets

READ ALL INSTRUCTIONS BEFORE BEGINNING INSTALLATION

1. Remove both saddlebags and set them aside.
2. Loosen the bolt from the pinch clamp on the front end of each muffler.
3. Working with one muffler at a time, support the muffler (assistance may be required) while removing the 5/16" bolts from the saddlebag support and slide muffler off of the head pipe.
4. Repeat the process for the opposite muffler. NOTE: It may be necessary to use a penetrating lubricant to loosen the muffler from the head pipe.

FIGURE 1

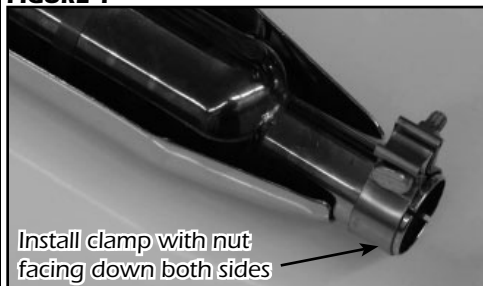


FIGURE 2



1. Install the band clamps (supplied) over the front of each muffler so that the bolt is to the inside and the nut is facing down (Figure 1). NOTE: New band clamps are supplied, do not use the old clamps.
2. There is a right and left muffler as determined by the cutout on the heatshield. Install with the cutout to the inside. (Figure 2)
2. Install muffler by sliding it on to the head pipe and bolting it to the saddlebag support using the stock 5/16" bolts.
3. Repeat installation procedure for opposite muffler.
4. Align mufflers and tighten hardware, beginning with the 5/16" bolts on the mounting brackets followed by the Torca band clamp. Torque spec. is 40-45 Ft./Lbs. NOTE: You may want to use an assistant at this time to visually check alignment while you tighten the hardware. Pay special attention to making sure the mufflers are even, when viewed from the back of the motorcycle.
5. Replace the saddlebags.
6. After installation and before starting motorcycle, clean pipes and mufflers with cleaning solvent and a clean soft cloth that will not leave a residue. **NOTE: Any residue, oil, or**

fingerprints will stain the chrome when the metal heats up.

EXHAUST CARE - HELPFUL HINTS TO AVOID DISCOLORATION OF EXHAUST SYSTEM

- | | |
|---|--|
| <ol style="list-style-type: none"> 1. When installing a new set of chrome pipes, make sure your hands are clean and free of oil. After installation, thoroughly clean pipes with a soft cloth and cleaning solvent that will leave no residue (chrome wax / polish, glass cleaner, alcohol, ammonia, etc...) before starting the motorcycle. | <ol style="list-style-type: none"> 2. Avoid long periods of idling as this can cause discoloration. 3. Intake leaks can cause the engine to run lean and overheat, this could lead to discoloration. 4. Make sure there are no exhaust leaks at the junction of the exhaust pipes and cylinder head. We recommend replacing gaskets if they are worn. |
|---|--|

VANCE & HINES OPTIONAL ACCESSORIES

FUELPAK



FUEL MANAGEMENT:

Take the guess work out of fuel injection with Fuelpak Fuel Management. Contact your local dealer or call (562) 921-0071 to order. Visit fuelpakfi.com for more information. Fuelpak is intended for racing or off-highway use only, and is not legal for sale or use in California on pollution-controlled vehicles.

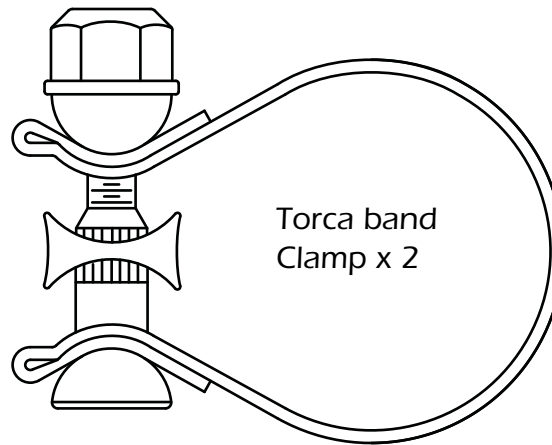
PLEASE NOTE: Every effort is made for Vance & Hines Exhaust Systems to provide improved cornering clearance. However, due to design and space limitations on some motorcycle models, ground and cornering clearance may not be improved and in some cases may be reduced. Be sure to follow proper installation instructions.



PACKING LIST

MORE POWER : LESS NOISE

ALL PARTS SHOWN ARE ACTUAL SIZE



PARTS NOT SHOWN:

D255HC	Right hand muffler	x1
D256HC	Left hand muffler	x1

WARRANTY

Vance & Hines exhaust systems are warranted against defects in material and workmanship for a period of 90 days from the date of purchase from an authorized dealer. This warranty does not cover discoloration of chrome finishes. This warranty is limited to the repair or replacement of a product proven to be defective from normal use. Vance & Hines exhaust systems are designed to fit and operate on OEM motor and chassis. This warranty does not cover any product subject to abuse, misuse, improper installation or modification.

FUEL MANAGEMENT

GET THE MOST OUT OF YOUR RIDING EXPERIENCE...

AN AFTERMARKET EXHAUST SYSTEM IS ONLY YOUR FIRST STEP, NOW YOU NEED FUEL MANAGEMENT.

NOW YOU NEED FUELPAK.

Your fuel injected Harley-Davidson® is equipped with an ECU (electronic control unit) that's programmed to deliver fuel to the motor based on an air/fuel ratio for a stock air filter and stock exhaust system. When you install a performance exhaust system, your airflow changes, so you need a fuel management system that adjusts your air/fuel ratio to match the changes. That fuel management system is Fuelpak. Fuelpak adds and takes away fuel, allowing for a more precise range of refinement in your air/fuel ratio. Get the perfect fuel management combination with your Vance & Hines exhaust system, get Fuelpak. For more information visit the tuning center at fuelpakfi.com

NOTICE: Fuelpak is intended for racing or off-highway use only, and is not legal for sale or use in California on pollution-controlled vehicles.



MORE POWER : LESS NOISE

13861 ROSECRANS AVENUE / SANTA FE SPRINGS, CA 90670
SALES: (562) 921-5388 / TECHNICAL: (562) 926-5291 / FAX: (562) 802-0110
VANCEANDHINES.COM