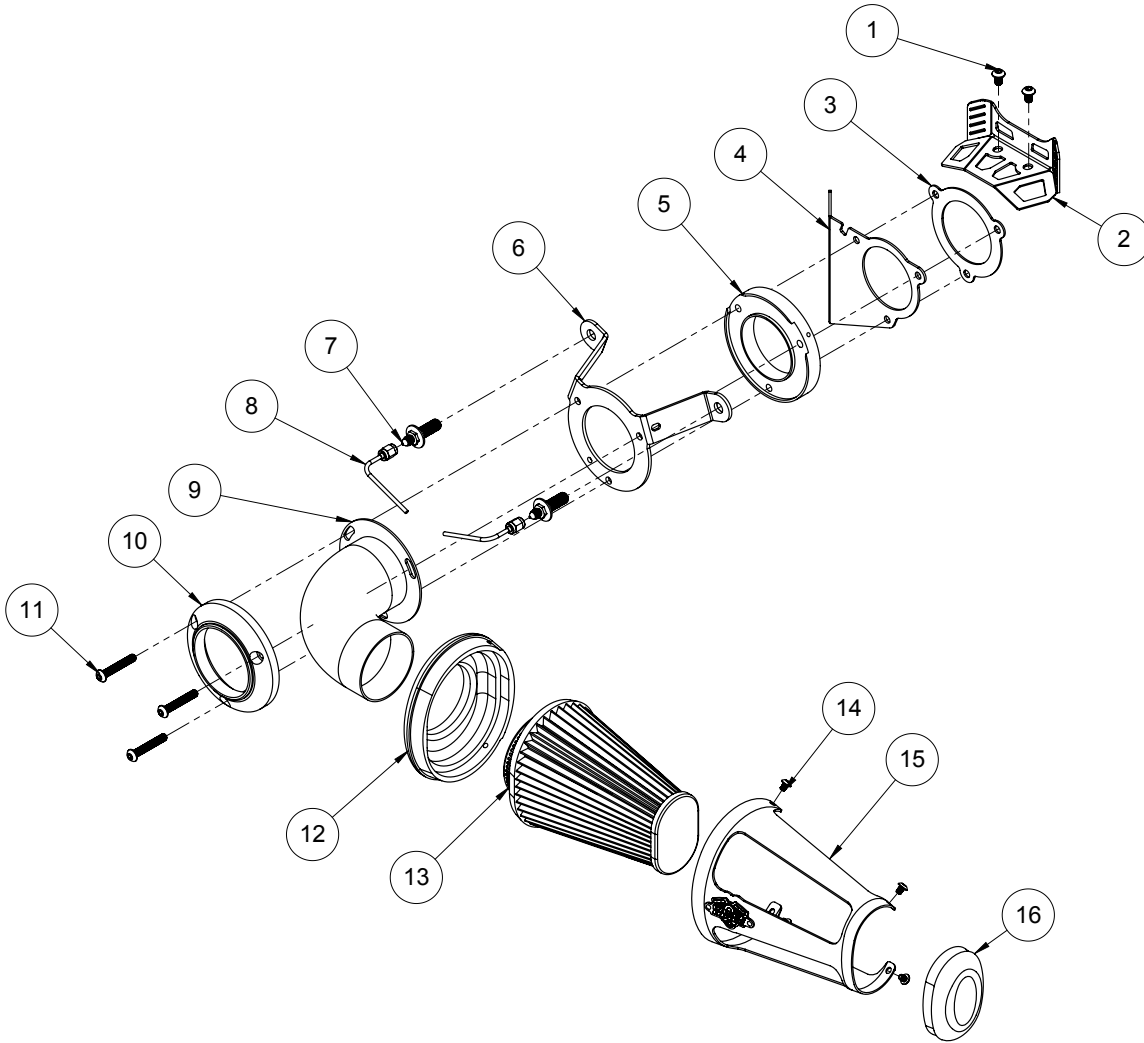


Congratulations, you have purchased the finest air intake system for your motorcycle on the market. Your Vance & Hines Air Intake system is designed and crafted for maximum performance and a perfect fit. Please follow the installation instructions below and if you have any questions, please call our technical support line at (562) 926-5291.

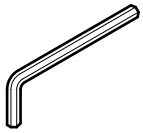


PARTS LIST

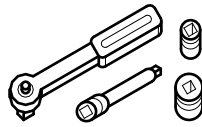
NO.	Description	Qty.
1	1/4-20 x 3/8 BHCS	2
2	Throttle body Top Cover	1
3	Throttle Body Gasket	1
4	Throttle Body Side Cover	1
5	Mounting Spacer	1
6	Backing Plate	1
7	Breather Bolt	2
8	Breather tube	2

9	90 Deg. Ø2.5 Tube	1
10	Front Flange Cover	1
11	1/4-20 x 1.5 IN. BHCS	3
12	Rear Filter Cover	1
13	Air Filter & Hose Clamp	1
14	10-24 x 1/4 IN BHCS	4
15	Filter Cage	1
16	Front Filter Cover	1

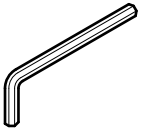
TOOLS REQUIRED



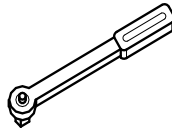
T27 Torx wrench



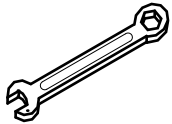
1/4" or 3/8" Drive Ratchet
7/16" Hex Socket and 5/16" and
5/32" Allen Socket



Allen Wrenches: 3/16",
5/32", 5/16"



Inch-pound Torque
wrench



Combination Wrench:
7/16"

OEM SYSTEM REMOVAL

1. Take off the air filter cover by removing the 5/16"-18 x 1/2" OE button head cap screw in the center.
2. This will expose the filter element, which is then removed by taking out the three Torx head cap screws.
3. Remove the breather hoses from the cylinder head breather bolts by pulling on them.
4. Remove the backing plate and gasket or o-ring by unbolting the cylinder head breather bolts. Be sure that the surface is clean and dry.
5. Finally remove the throttle body mount bracket by unbolting the two 1/4-20 cap screws that attach it to the throttle body.

AIR FILTER KIT INSTALLATION

1. **For a clear understanding of this installation it is best to refer to the exploded view diagram while reading these instructions.**
2. Install the top bracket(#2) onto the top of the throttle body with the two 1/4-20 x 3/8 BHCS(#1).
3. **CAUTION!** Wrap the 90 degree tube with masking tape to prevent any surface scratches. The masking tape should start at approximately 1-1/16 inches away from the end of the tube. Next mark the tube approximately 5/8 away from the end. This mark will show how far to engage the air filter. See **Figure 1**.
4. Slide the front flange cover(#10) over the 90 degree tube(#9). Be careful not to scratch the tube while the cover sweeps along the pipe. See **Figure 2**.

CONTINUED INSTALLATION

5. **CAUTION!:** Slide the rear filter cover(#12) over the tube(#9) and leave it loose on the pipe.
6. Attach the air filter(#13) to the end of the 90 degree tube(#9). Line up the end of the air filter with the 5/8 mark from step 3. Align and tighten the air filter hose clamp so that the seam points towards the ground
7. **CAUTION!:** Slide the rear filter cover(#12) over the air filter(#13). Make sure not to scratch the coating.
8. Attach the filter cage(#15) to the front filter cover(#17) with two 10-24 x 1/4 BHCS(#14). See **Figure 3**.
9. Next, slip the filter cage over the air filter and attach the filter cage to the rear filter cover with two 10-24 x 1/4 in BHCS(#16). See **Figure 4**.
10. Using the three 1/4"-20 x 1.5" button head cap screws (#11) align the air filter assembly, the backing plate (#6), the mounting spacer (#5), the throttle body side cover (#4), and the gasket (#3) together as shown. Install the assembly onto the throttle body. Make sure the components are aligned before tightening to 55-60 in-lbs (6.2-6.8 Nm). See **Figure 5**.
11. Install the breather bolts through the backing plate and into the cylinder heads.
12. Install the breather tubes through the backing plate and into the the mounting spacer. Attach and tighten the breather tubes to the breather bolts. See **Figure 6**.
13. After 100 miles check to be sure that these bolts are still tight. Periodically ensure that these screws remain tight.

Figure 1

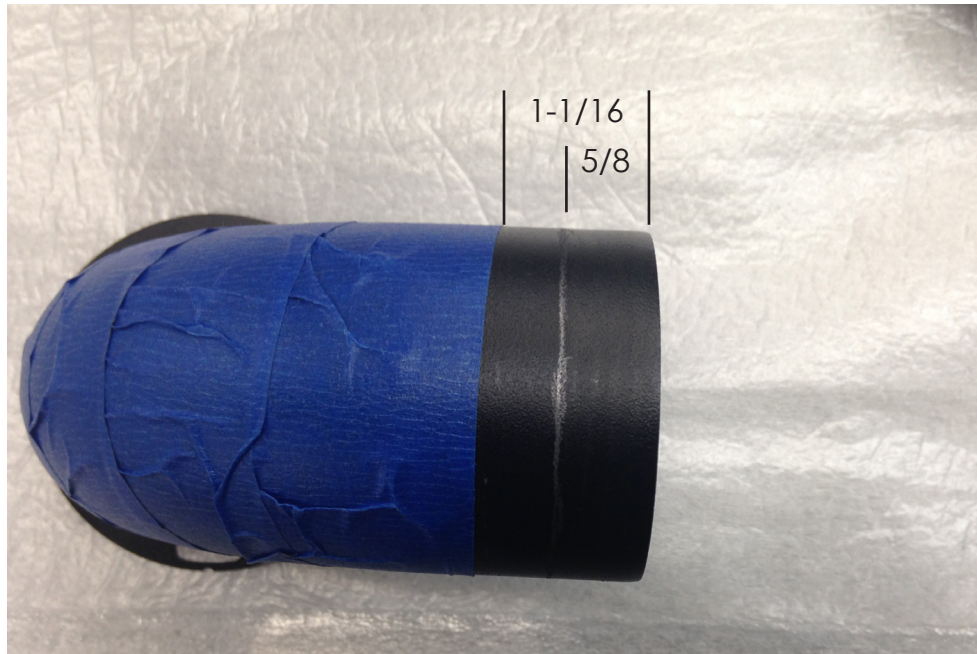


Figure 2

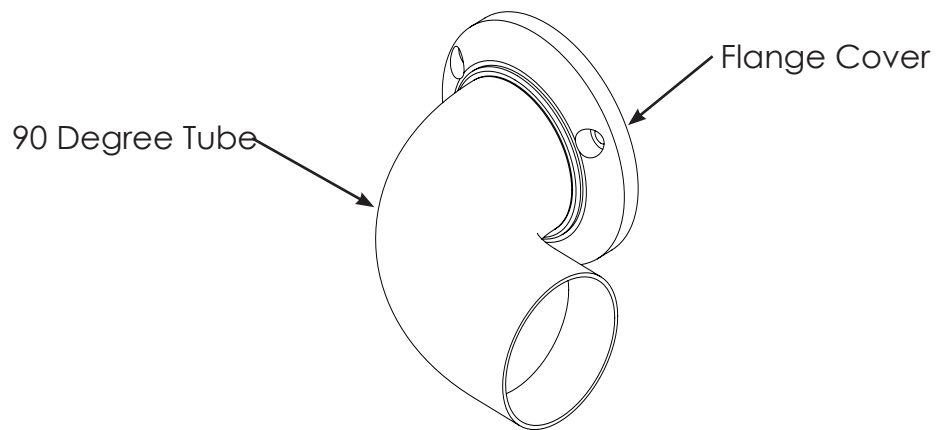


Figure 3

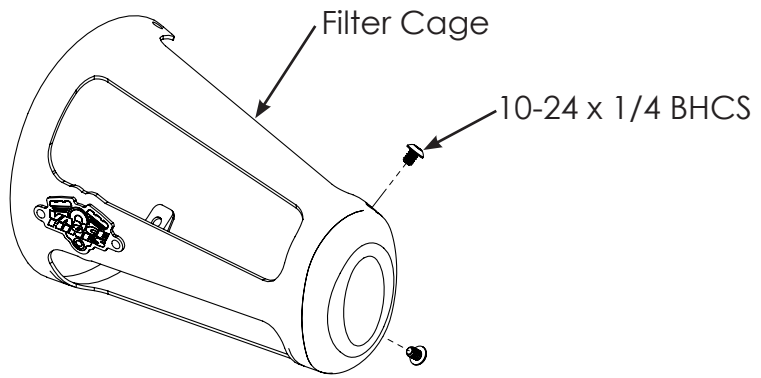


Figure 4

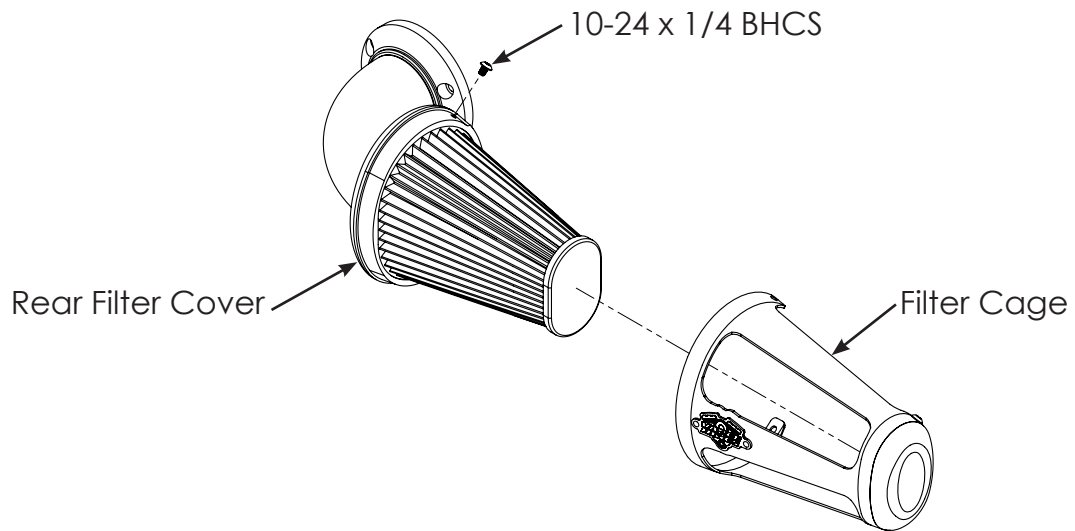


Figure 5

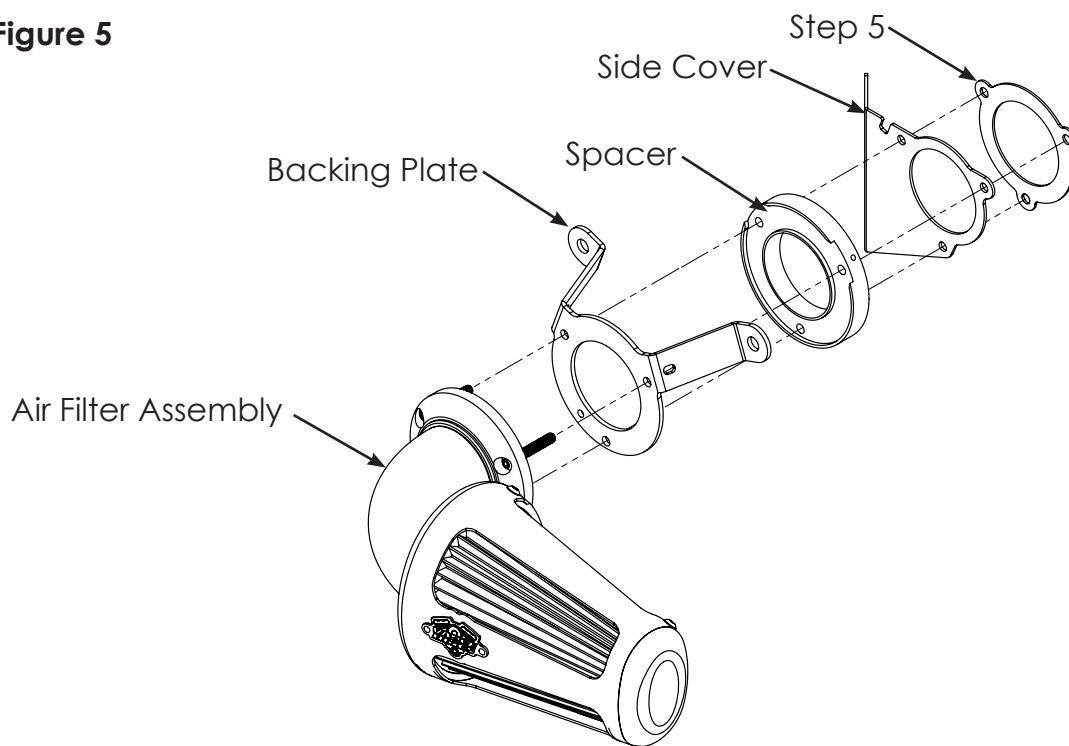
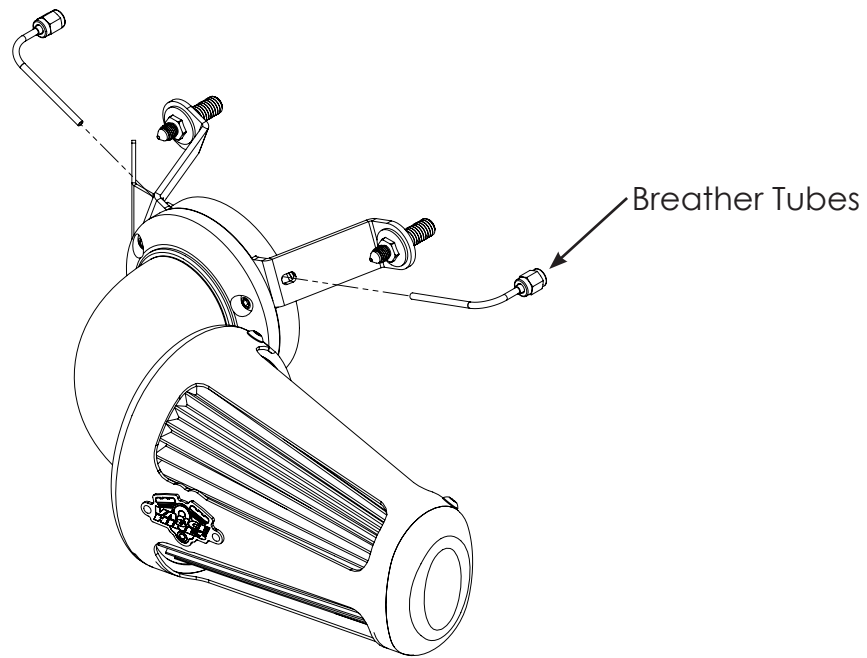


Figure 6



Emissions Notice:

In California, in order to meet Air Resources Board emissions requirements, certain aftermarket part applications have been identified as replacements, and others have received ARB Executive Orders. All other emissions related aftermarket parts are for competition use only. A list of replacement parts and EO parts, and corresponding fitment is provided at vanceandhines.com/california.

Warranty:

All Vance & Hines products are warranted against defects in material and workmanship for a period of 90 days. This warranty does not cover discoloration or rust. This warranty shall be limited to the repair or replacement of the product, which may be proven defective under normal use. Vance & Hines will not warranty any system that has been abused, misused, improperly installed or modified.

Dealers or distributors are not authorized to make dispositions binding upon Vance & Hines. Vance & Hines will not be responsible for any labor charges incurred in removing or replacing any system under warranty. A return authorization number and a copy of the original purchase invoice must accompany all returns. Parts returned without a return authorization may be refused.

13861 ROSECRANS AVENUE / SANTA FE SPRINGS, CA 90670
SALES: (562) 921-5388
TECHNICAL: (562) 926-5291
FAX: (562) 802-0110

vanceandhines
.com