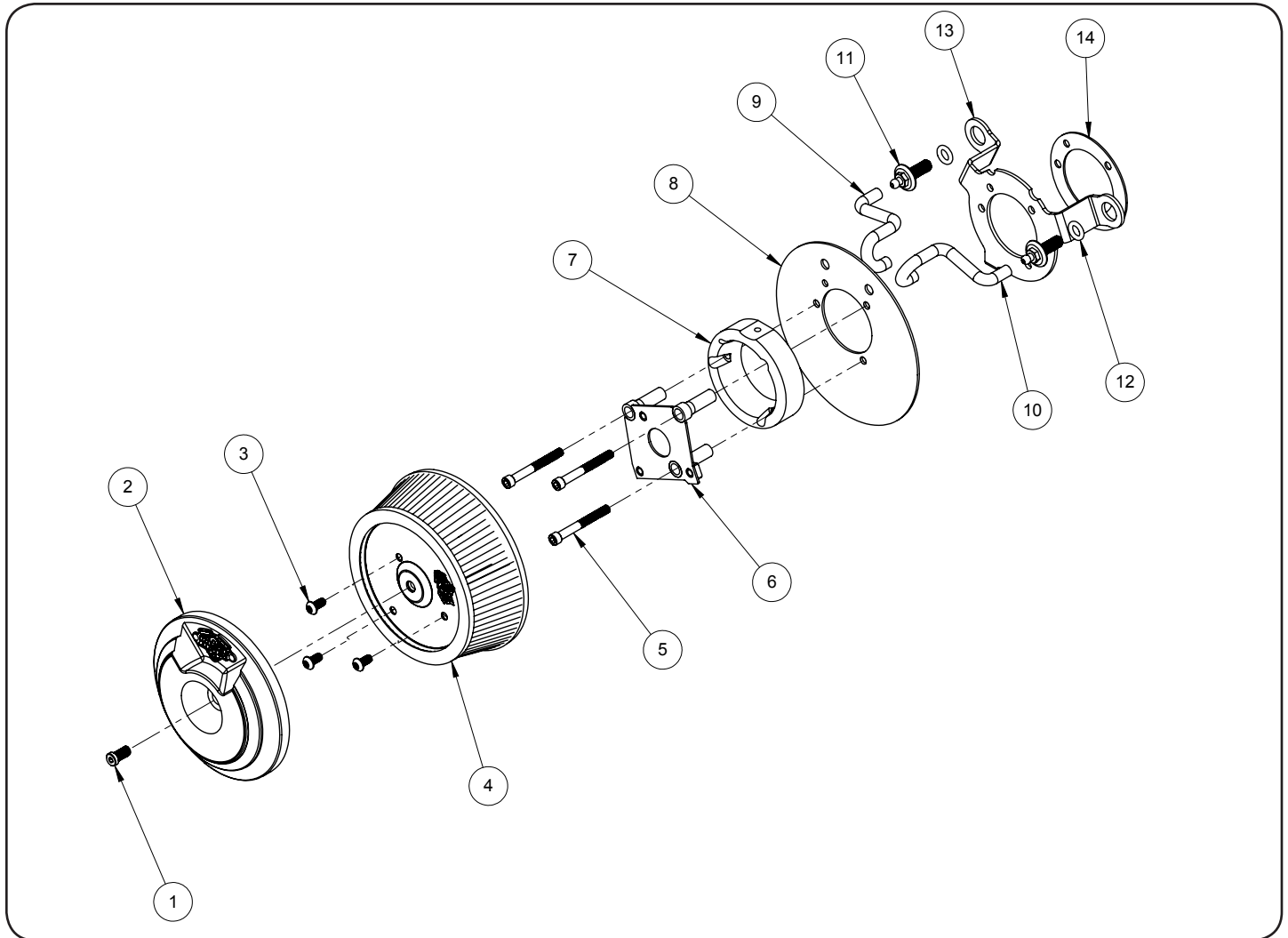


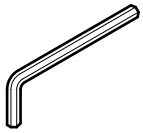
Congratulations, you have purchased the finest air intake system for your motorcycle on the market. Your Vance & Hines Air Intake system is designed and crafted for maximum performance and a perfect fit. Please follow the installation instructions below and if you have any questions, please call our technical support line at (562) 926-5291.



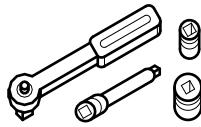
PARTS LIST

| NO. | Description | Qty. | | | |
|-----|----------------------|------|----|-----------------------------------|---|
| 1 | 5/16-18 x 5/8 SHCS | 1 | 9 | Rear Breather Hose | 1 |
| 2 | Air Cleaner Cover | 1 | 10 | Front Breather Hose | 1 |
| 3 | 1/4-20 x 1/2 BHCS | 3 | 11 | 3/8-16 UNC-2A Bleed Bolt | 2 |
| 4 | Air Filter | 1 | 12 | O-Ring | 2 |
| 5 | 1/4-20 x 2-1/4 SHCS | 3 | 13 | Carburetor/Throttle Mount Bracket | 1 |
| 6 | Filter Mount Bracket | 1 | 14 | Throttle Body Gasket | 1 |
| 7 | Aluminum Venturi | 1 | | | |
| 8 | Backing Plate | 1 | | | |

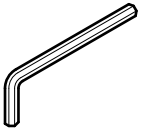
TOOLS REQUIRED



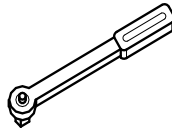
T27 Torx wrench



1/4" or 3/8" Drive Ratchet with
5/16" and 5/32" Allen Socket
7/16" Hex Socket



Allen Wrenches: 3/16",
5/32"



Inch-pound Torque
wrench

Loctite 243 (blue)

OEM SYSTEM REMOVAL

1. Take off the air filter cover by removing the 5/16"-18 x 1/2" OE button head cap screw in the center.
2. This will expose the filter element, which is then removed by taking out the three Torx head cap screws.
3. Also remove the breather hoses from the cylinder head breather bolts by pulling on them.
4. Remove the three bolts that secure the backing plate to the carburetor / throttle body and the two breather bolts that secure it to the cylinder heads.
5. Now remove the backing plate and gasket, on FI models the wiring mount clip should be carefully pulled out of the plastic housing. NOTE: Be sure that the gasket surface is clean and dry and that no gasket material remains stuck to it.

INSTALLATION OF V02 AIR FILTER KIT

1. For a clear understanding of this installation it is best to refer to the exploded view diagram while reading these instructions.
2. When installing or servicing the air cleaner, apply Loctite 243 (blue) to threads of all fasteners.
3. Loosely install the carburetor / throttle body mount bracket (13) and gasket (14) using the two cylinder head breather bolts (11) and breather bolt O-rings (12). NOTE: Make sure the gasket is installed with the correct rotation and right side up with the slightly smaller bleed hole in the top left hand corner. Tighten the cylinder head breather bolts (11) to 120-144 in-lbs (13.6-16.3 Nm) being careful not to pinch the breather bolt O-rings (12).
4. Install the rear and front breather hoses (9 & 10) through the top two holes in the filter backing plate (8), aligned as shown.
5. Using the three 1/4"-20 x 2-1/4" socket head cap screws (5) sandwich the filter mount bracket (6), the venturi (7) the filter backing plate w/ breather hoses (8) and install onto the throttle body. The slightly smaller bleed hole should be in the top left hand corner of the backing plate (8) and should line up with the bleed hole of the gasket (14), mounting bracket (13) and venturi (7). Make sure the inside edges of all of these parts are aligned before tightening to 55-60 in-lbs (6.2-6.8 Nm). NOTE: On fuel injected models a mount tab on the carburetor / throttle body mount bracket (13) is supplied to mount the stock wiring mount clip.
6. Using the remaining three 1/4"-20 x 1/2" button head cap screws (3) install the air filter element (4) and torque to 55-60 in-lbs (6.2-6.8 Nm). NOTE: The Vance & Hines logo should be at approximately three o'clock when viewed from the side. The filter is pre-oiled and does not need to be oiled prior to installation.
7. Feed the 5/16"-18 x 5/8" socket head cap screw (1) through the Grenade air cover (2) and into the center of the air filter element (4), tighten securely.
8. After 100 miles check to be sure that all bolts are still tight. Periodically ensure that all fasteners remain tight.

Emissions Notice:

In California, in order to meet Air Resources Board emissions requirements, certain aftermarket part applications have been identified as replacements, and others have received ARB Executive Orders. All other emissions related aftermarket parts are for competition use only. A list of replacement parts and EO parts, and corresponding fitment is provided at vanceandhines.com/california.

Warranty:

All Vance & Hines products are warranted against defects in material and workmanship for a period of 90 days. This warranty does not cover discoloration or rust. This warranty shall be limited to the repair or replacement of the product, which may be proven defective under normal use. Vance & Hines will not warranty any system that has been abused, misused, improperly installed or modified.

Dealers or distributors are not authorized to make dispositions binding upon Vance & Hines. Vance & Hines will not be responsible for any labor charges incurred in removing or replacing any system under warranty. A return authorization number and a copy of the original purchase invoice must accompany all returns. Parts returned without a return authorization may be refused.

13861 ROSECRANS AVENUE / SANTA FE SPRINGS, CA 90670
SALES: (562) 921-5388
TECHNICAL: (562) 926-5291
FAX: (562) 802-0110

vanceandhines
.com